

MINI-X Series II



Features and Benefits

- > **100% Read Accuracy:**
 - Unless bars are missing due to damage, our patented DRX decoding technology provides 100% read rate by combining partial scans!
- > **More throughput:**
 - TachTrac tracking allows box spacing as small as 2 inches (5.1 centimeters).
- > **Flexible Connectivity:**
 - Ethernet, Profibus, DeviceNet
 - Serial and I/O standard
- > **Long-term Reliability:**
 - Single, long-life laser diode for exceptional MTBF.
- > **Easy Installation:**
 - Small lightweight unit with self-contained decoder

Accu-Sort offers an affordable mid-range omnidirectional scanning solution

Accu-Sort's Mini-X Series II delivers the ultimate in low cost, high performance omnidirectional bar code scanning. Six available configurations guarantee the best possible fit to your application needs.

The Mini-X Series II is designed to be compatible with various communications methods, including Ethernet, Profibus, and DeviceNet.

The only moving part in most Mini-X Series II models is a brushless DC motor/mirror wheel. The laser diode, optics, and detector are sealed in a dust-tight compartment. The Mini-X Series II enclosure is NEMA 12-rated to withstand harsh industrial environments.

Two serial ports are provided along with input connectors for photoeyes and a tachometer. A multi-zone dynamic voice coil focusing option or a dual-zone mirror wheel option are available to increase the depth of field.

DRX® and TachTrac®



Accu-Sort's patented DRX decoding technology uses partial scans to reconstruct bar codes with 100% accuracy. DRX enables low-aspect-ratio bar codes to be decoded, and improves read rates on damaged and poorly printed codes.

TachTrac tracks boxes as they pass through the scan pattern, matching bar codes to the correct boxes. The transmit point is configurable based on your application requirements.

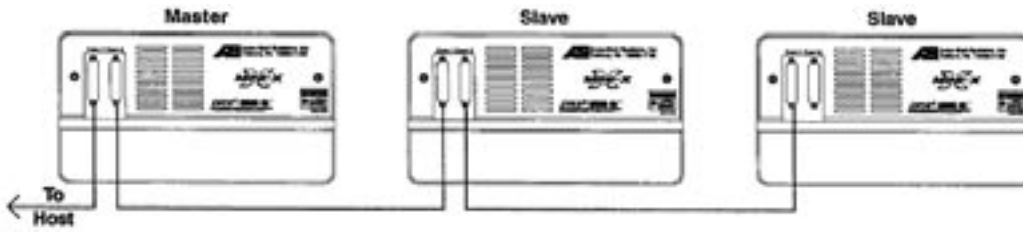
Mini-X Series II Configurations

Seven configurations meet your specific application needs:

- Mini-X Series II SC1
- Mini-X Series II
- Mini-X Series II 3-Line
- Mini-X Series II Dual Zone
- Mini-X Series II VV
- Mini-X Series II Dual VV
- Mini-X Series II EC

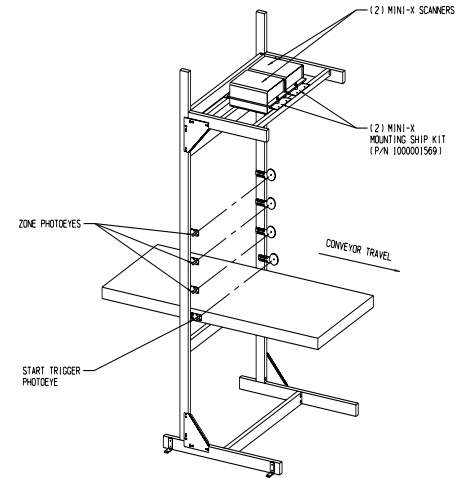
Mini-X Series II Master/Slave Configuration

To widen the applicable scan window, multiple Mini-X Series II scanners can be mounted side-by-side in an overhead configuration. When configured this way, one Mini-X serves as the "master" and communicates with the "slave" units as well as the host device. Bar codes read by one or more master/slave units are transmitted to the host device by the master scanner. A sample configuration is shown below.



Standard Mounting Structure

The MT007 standard mounting structure provides a low-cost, easy-to-install mounting solution. The assembly bridges conveyors up to a maximum width of 46" (116.84 cm). The single unit will accommodate one, two, or three Mini-X Series II scanners and all photoeyes and tachometers necessary for your application.



Mini-X Series II SC1

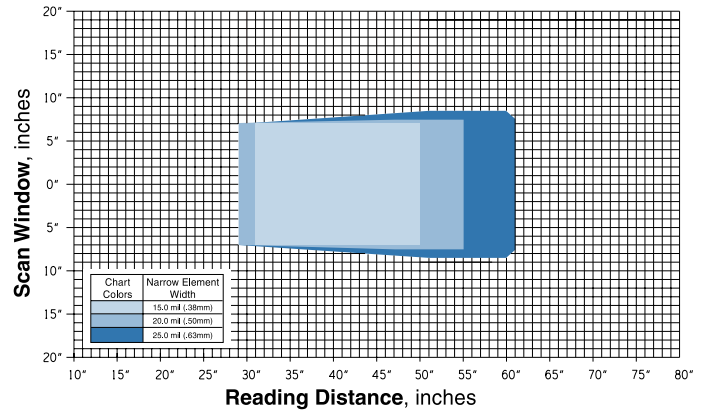
The standard model, standard configuration with a single X pattern.

Scan Rate:

500 scans (1000 segments) per second standard

Coverage:

14" @ 31" (35.6cm @ 78.7cm) from mounting surface



Mini-X Series II

The standard model, variable configuration with a single X pattern.

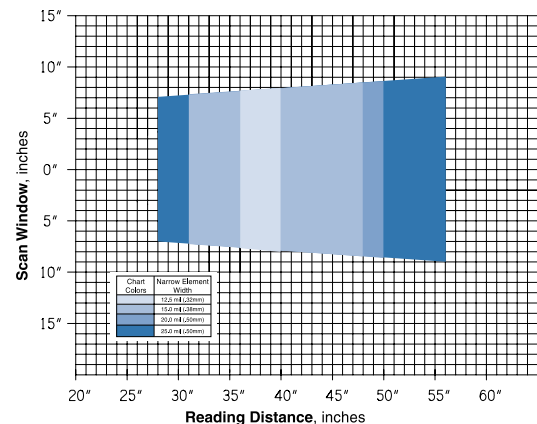
Scan Rate:

500 scans (1000 segments) per second standard
700 scans per second maximum

Coverage:

14" @ 26" (35.6cm @ 63.5cm) from mounting surface

Optional Multi-Zone Dynamic Focus





Mini-X Series II Dual Zone

A special, patented dual-zone mirror wheel is available for the Mini-X that doubles the depth of field without mechanical focus.

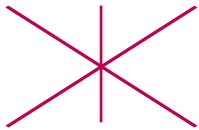
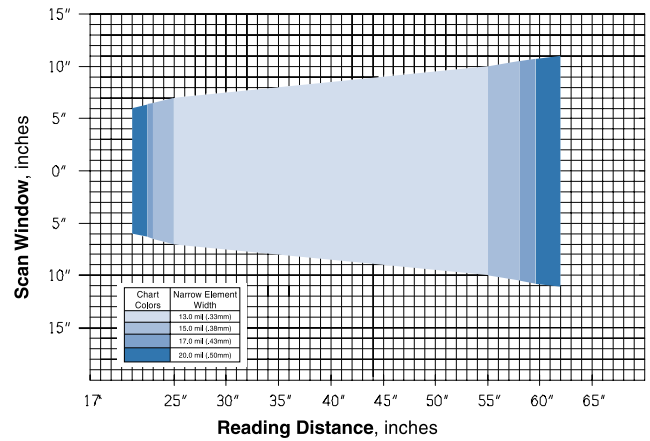
Scan Rate:

250 scans (1000 segments) per second standard
350 scans per second maximum

Coverage:

14" @ 25" (35.6cm @ 63.5cm) from mounting surface
20" @ 50" (50.8cm @ 127cm)

Note: Dual-zone mirror also available for Mini-X Series II 3 Line and Mini-X Series II VV scanners.



Mini-X Series II 3 Line

Three lines for omnidirectional scanning of codes with small bar height.

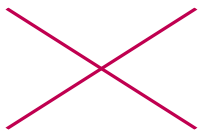
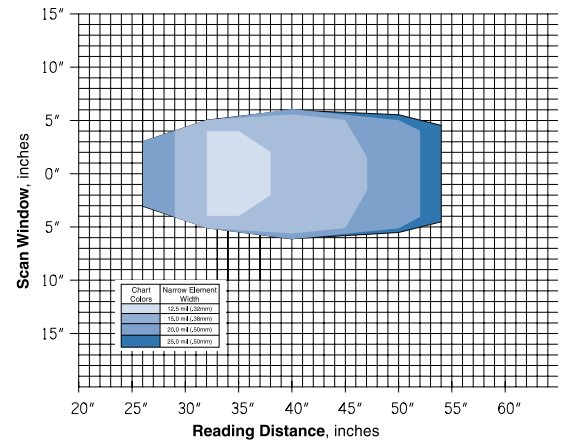
Scan Rate:

500 scans (1500 segments) per second standard
700 scans per second maximum

Coverage:

6" @ 26" (15.2cm @ 66.0cm) from mounting surface
10" @ 40" (25.4cm @ 101.6cm)

Optional Multi-Zone Dynamic Focus



Mini-X Series II EC

A larger scan pattern for wider conveyor coverage.

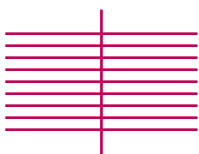
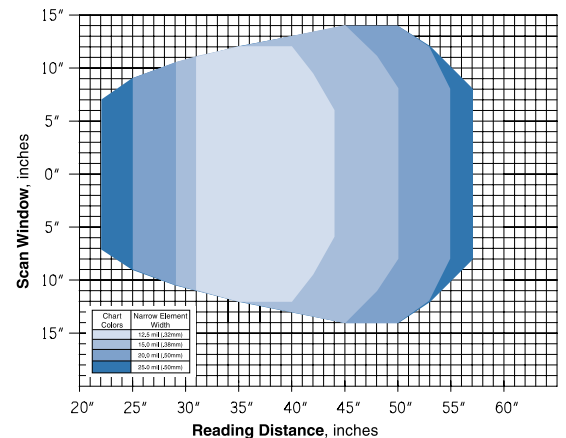
Scan Rate:

312 scans (625 segments) per second standard
700 scans per second maximum

Coverage:

18" @ 25" (45.7cm @ 63.5cm) from mounting surface
28" @ 50" (69.7cm @ 127cm)

Optional Multi-Zone Dynamic Focus



Mini-X Series II W

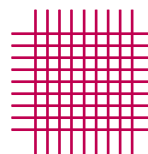
One leg is rastered with a vibrating vane. For reading codes that are predominantly in ladder or picket fence orientation. Also useful where boxes are manually passed under the scanner.

Scan Rate:

500 scans (1000 segments) per second standard
700 scans per second maximum

Coverage:

Application dependent - vibrating vane sweep distance and frequency are adjustable.



Mini-X Series II Dual VV

Both legs are rastered with a vibrating vane. Useful where boxes are manually passed under the scanner, or where the bar code stops under the scan pattern.

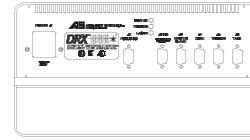
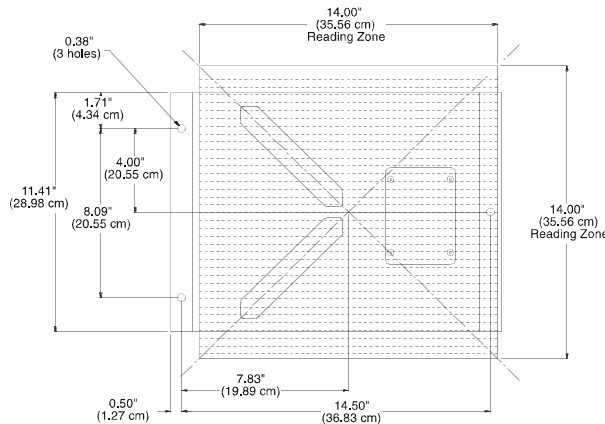
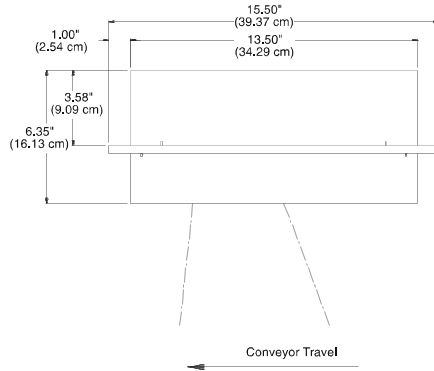
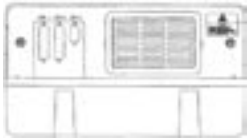
Scan Rate:

500 scans (1000 segments) per second standard
700 scans per second maximum

Coverage:

Application dependent - vibrating vane sweep distance and frequency are adjustable.

Mini-X Series II Technical Specifications



Characteristic	Description
Name/Part Number	Omnidirectional Bar Code Laser Scanner, Mini-X Series II
Depth of Field	Configuration dependent, see read charts
Scan Rate	500 - 700 SPS max, see read charts
Communications	Standard: Serial RS-232, RS-422, RS-485, Current Loop (com1 only) Optional: Ethernet TCP/IP, DeviceNet, Profibus
Options	Multi-zone dynamic focus Form "A" Relay Outputs (2) Tachometer (for TachTrac®) Remote Display Quad Relay Box
Temperature	Operating: +32° to +122° F [0° to +50° C] Storage: -4° to +158° F [-20° to +70° C]
Relative Humidity	20% - 90% non-condensing
Laser Type	Visible laser diode 670 nM, 10mW (std., 636 nM available)
Power	100-240 VAC, 50-60 Hz
Power Consumption	20 Watts
Visual Indicators (LEDs)	Go/NVC, Trigger, Laser (on/off)
Bar Code Types	All standard 1D symbologies
Connectors	4 Serial ports (3 external, 1 internal), 1 Trigger input, 1 Tachometer input, 2 Form A relays (1 optional), up to 4 parallel outputs and 2 parallel inputs
Weight	21 lbs. [9.5 kg]
Size	L 15.50" [39.4 cm] x W 11.41" [28.9 cm] x H 6.35" [16.1 cm]
Housing	Aluminum with NEMA 12 (IP 54) rated optical compartment
Warranty	1-year limited, parts and labor
Service Options	Installation assistance and on-site training
Compliance	UL, cUL, FCC (Class A), CDRH (Class II), CE



Look for the "RFID ENABLED" logo on Accu-Sort's bar code laser scanners and CCD cameras. It's our assurance that all Accu-Sort SENTIENT™ RFID products will be compatible with your existing bar code scanner infrastructure—capable of working together to solve your expanding business needs.



For more information about bar code scanners and material handling solutions from Accu-Sort Systems, contact us at:



**511 School House Road
Telford, PA 18969
1-800-BAR-CODE™**

**info@accusort.com
www.accusort.com**

©2004 Accu-Sort Systems, inc. All rights reserved. The AS logotype ACCU-SORT, 1-800-BAR-CODE, "Solutions with vision," DRX, and TachTrac are trademarks or registered trademarks of Accu-Sort Systems, inc.