



Accu-Sort again offers an innovative, reliable solution for your fixed scanning needs.

The Model 24 Series II, Accu-Sort's high performance, long-range line scanner, rounds out the top end of our Model 20 line scanner family. It offers reading ranges and scan rates far greater than those of our Model 22 and is available in 24i (internal logic) or 24e (external logic) versions.

The Model 24 Series II is designed to be compatible with various communications methods, including Ethernet, Profibus, and DeviceNet. With its advanced optical design, the Model 24 Series II can handle almost any line scanning application.

A wide scan angle coupled with powerful A/D circuitry provides an extremely large performance envelope for any bar code. The advanced DSP decoder logic board uses Accu-Sort's patented DRX® technology to eliminate the need for linear scanning.

Our Windows®-based configuration software simplifies setup, getting you up and running faster than ever.

The Model 24 Series II has a rugged, NEMA 12-rated extruded aluminum body, with all optical components sealed and separated from the fan-cooled electronics.

The body's integral slots accept industry-standard hardware. This, along with the unit's small size and light weight, simplifies mounting.

The Model 24 Series II has a flexible design for integration into a wide range of systems. Input connectors supporting a wide range of devices allow the Model 24 Series II to install into existing environments with few changes. Two solid-state internal relays are available for good-read/no-read or custom outputs, and diagnostic LEDs provide for at-a-glance checks on the status of the unit.

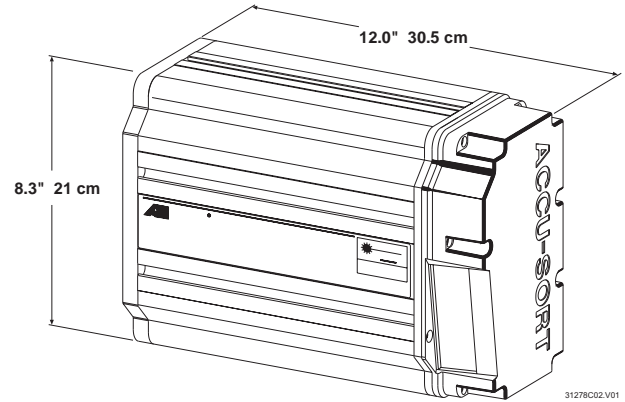
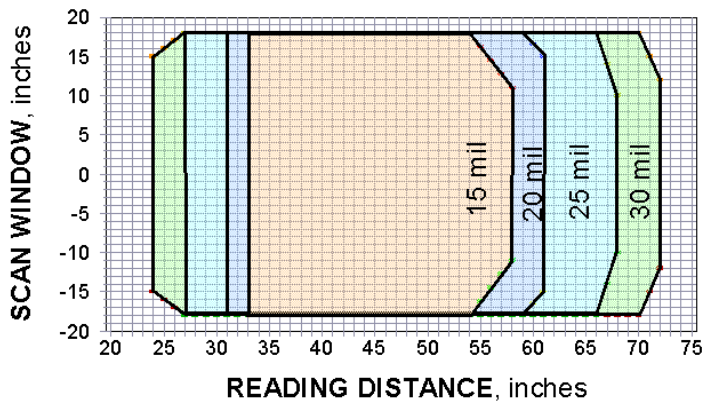
Options: three-zone focusing, raster mirror wheels, 12- and 18-sided mirror wheels for high-speed scanning, an external relay box with industry-standard I/O modules, a remote display, and an internal heater for extremely cold environments.

Typical applications include:

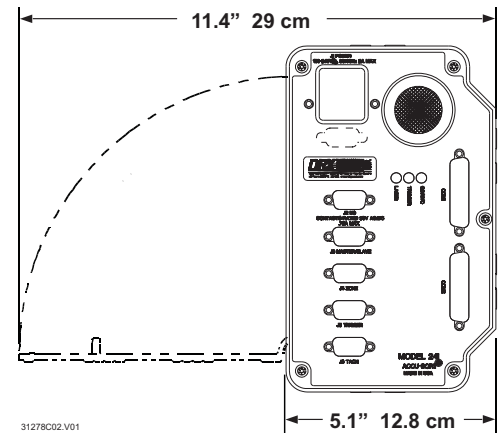
- Airport/shipping scan tunnels
- Package content verification and counting
- Product identification and sortation
- Automatic production tracking

OUTSTANDING FEATURES

- ▶ **Communications options include Ethernet, Profibus, DeviceNet, and more!**
- ▶ **Power to process near-zero package spacing and multiple bar codes per package at high conveyor speeds**
- ▶ **Custom configuration allows for more than 3000 scans per second**
- ▶ **Windows-based configuration software helps get your scanner on line in a hurry**
- ▶ **Integrated mounting features accept industry-standard hardware for quick installation**



Narrow Element Width	Reading Range	Depth of Field	Maximum Scan Window
15mil (0.38mm)	32"-58" (813mm-1473mm)	26" (660mm)	36"@32" (914mm@813mm)
20mil (0.51mm)	30"-61" (762mm-1549mm)	31" (787mm)	36"@30" (914mm@762mm)
25mil (0.64mm)	27"-68" (686mm-727mm)	41" (1041mm)	36"@27" (914mm@686mm)
30mil (0.76mm)	24"-72" (610mm-1829mm)	48" (1219mm)	36"@27" (914mm@686mm)



Product Specifications



Scan Rate:

Up to 3000 scans per second

Depth of Field:

See read chart
(application/bar code dependent)

Laser Type:

Thermoelectric cooled Laser diode
(670nm or 635nm)

Visual Diagnostics:

Trigger, Laser on, *GO/NVC

*Bar code types:

All standard 1D symbologies

Connectors:

- *2 serial ports
- 1 I/O port
- 1 trigger input
- 1 tachometer input

Size:

Length - 12.0" (30.5 cm)
Width - 5.1" (12.8 cm)
Height - 8.3" (21 cm)

Weight:

13 lbs (5.9 kg)

Temperature Range:

32°-122°F (0°-50°C)

Relative Humidity:

10%-90% non-condensing

Enclosure:

NEMA 12 (IP 54)

Power:

100-240VAC
50/60Hz
20 Watts

*Communications:

Programmable I/O
Communication Ports
RS-232, RS-422, and
RS-485 Multidrop
Current Loop (com1 only)
DeviceNet
Ethernet
Profibus

Options:

Mirror wheel:
12 or 18 sided
Dual focus
1"@20" raster
External logic (24e)
Internal heater
Two- or three-zone focus
(mechanical)

Approvals:

UL, cUL, FCC, CDRH Class II

Service options:

Installation assistance
On-site training

Warranty:

1-year limited, parts and labor

* 24i only

Accu-Sort reserves the right to change specifications without notice

Accu-Sort® Systems, inc. • 511 School House Road • Telford • PA • 18969



The Accu-Sort
Quality System is
ISO9001 certified.



800-BAR-CODE • 215-723-0981 • fax 215-996-8249 • info@accusort.com • www.accusort.com

ver. 1.0 9/00