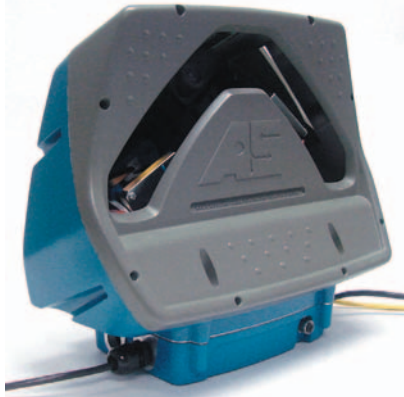


ACCU-SORT®

AXIOM-X™ Omnidirectional Laser Bar Code Reader



Omnidirectional scanning technology just got smaller... faster... and more accurate!

The AXIOM™ line of bar code scanning solutions are designed with industrial and manufacturing applications in mind. The AXIOM-X™ is Accu-Sort's new compact omnidirectional reader. Housed in a rugged IP54-rated enclosure, AXIOM-X offers high-speed scanning up to 1120 scans per second capable of handling the most demanding applications.

All AXIOM-X readers require a wiring base and plug-in scan head. The scan head is available in six versions; three for high-speed scanning in fast moving applications.

Sophisticated technology that's easy to use

Although technologically advanced, AXIOM-X is designed for easy setup and operation. AXCESS™ software provides a familiar user interface, enabling reader setup without the need for on-site service. Simply connect to AXIOM-X via setup cable or on-board Ethernet connection. Specify valid bar codes, groups, and patterns. Define your I/O—including built-in trigger and tach signals and up to four solid state relays. When complete, download the application settings to the reader and you're ready to go.

Built-in Parameter Storage Modules retain the operating parameters in both the scan head and wiring base. In the event replacement ever becomes necessary, just replace the scan head, and the correct parameters are installed with the push of a button.

Flexible connectivity... including built-in EtherNet/IP

Use AXCESS to configure and monitor your AXIOM-X readers from anywhere in your facility! The AXIOM-X provides several bar code data transfer options including: UDP messaging, operation as a TCP/IP client or server, and EtherNet/IP.

These features, along with comprehensive real-time performance monitors, make the AXIOM-X the leading bar code scanning solution in its class.

AXIOM-X™ Bar Code Scanning Solutions

Typical AXIOM-X bar code scanning solutions address these industries and applications:

- Parcel distribution
- Retail/wholesale distribution
- Airline baggage
- Tire manufacturing
- Multi-sided arrays
- High-speed parcel sortation
- High-speed material handling
- Manufacturing

Photo captions: (FROM TOP LEFT) AXIOM-X bar code reader, AXIOM-X control panel, modular scan head and wiring base shown with power supply and mounting bracket. On reverse: AXIOM-X wiring base with internal wiring diagram/cover.

Highest Read Performance:

- Up to 1120 SPS; better than 2x scan rate of prior one-box omnidirectional readers
- Ensures the highest possible read rates on good and poor quality codes

Largest Coverage (maximum DOF):

- Scanning over 2 read zones
- No focusing required, no dead zones

Fastest Installation:

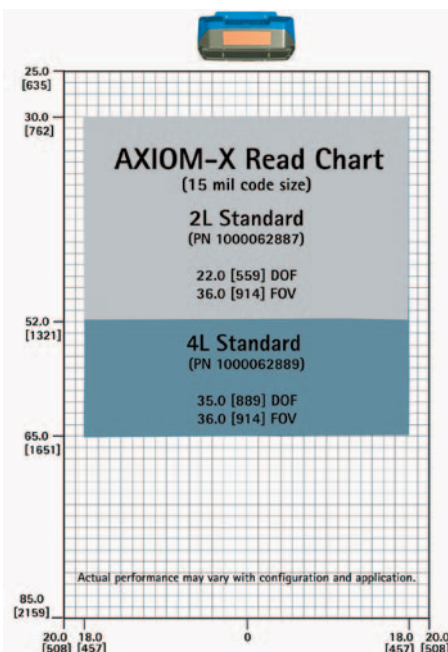
- AXCESS™ powerful, intuitive user interface
- Modular Scan Head and Wiring Base

Easy "Plug and Play" Replacement:

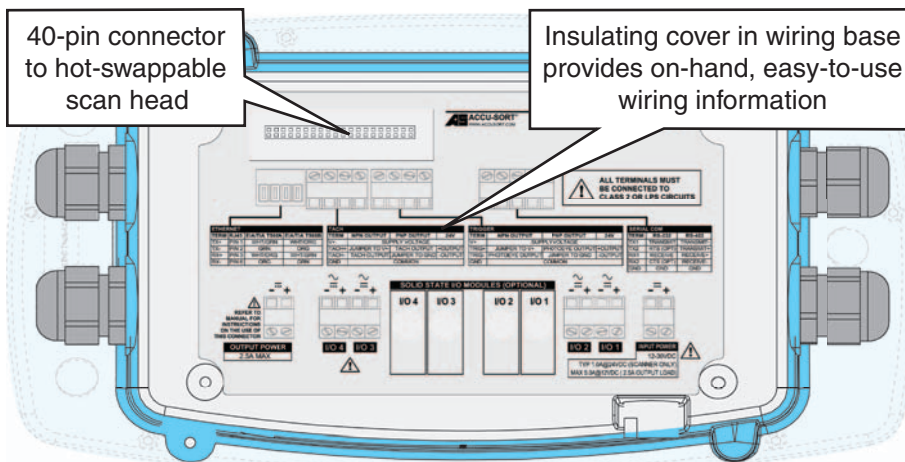
- Parameter Storage Modules store the configuration in scan head and wiring base
- Modularity reduces downtime, simplifies replacement - no need to remember operating parameters!

Lowest Cost of Ownership:

- Flexible connectivity: EtherNet/IP, Ethernet TCP/IP, Serial and I/O all standard
- No maintenance (no fans or filters)



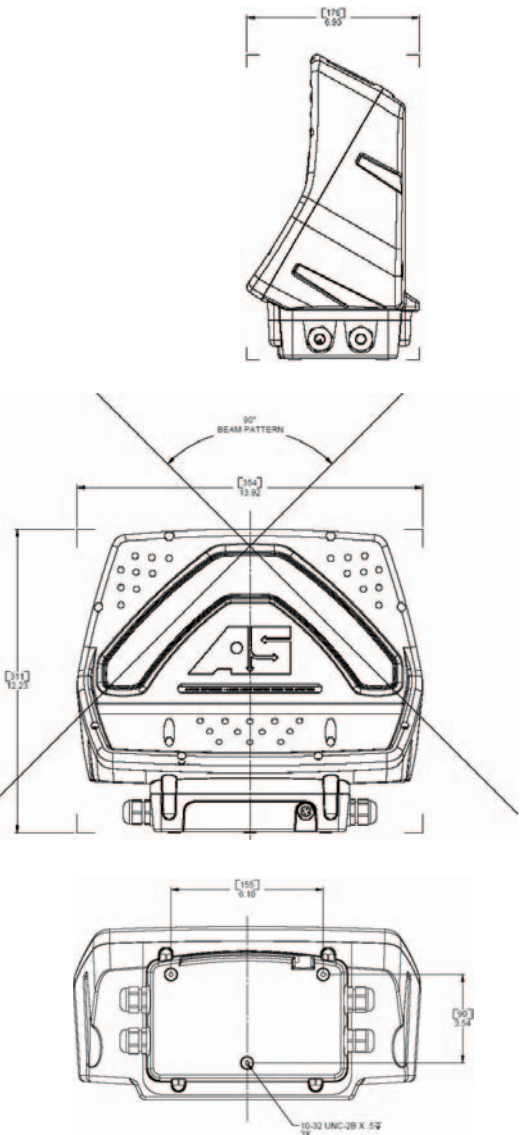
AXIOM-X™ Omnidirectional Laser Bar Code Reader



Specifications

Characteristic	Description																																			
Name/Part Number	Omnidirectional Laser Bar Code Reader, AXIOM-X™																																			
PN/Specifications	<table border="1"> <thead> <tr> <th>Description</th> <th>Part Number</th> <th>Min. Bar</th> <th>Depth of Field</th> <th>Scans/Second</th> </tr> </thead> <tbody> <tr> <td> 2L Standard</td> <td>1000062887</td> <td>15 mil+</td> <td>30-52"</td> <td>1000</td> </tr> <tr> <td>2L Medium</td> <td>1000063502</td> <td>13 mil+</td> <td>31-49"</td> <td>1000</td> </tr> <tr> <td>2L High-Density</td> <td>1000062888</td> <td>10 mil+</td> <td>data n/a</td> <td>1000</td> </tr> <tr> <td> 4L Standard</td> <td>1000062889</td> <td>15 mil+</td> <td>30-65"</td> <td>500</td> </tr> <tr> <td>4L Medium</td> <td>1000063503</td> <td>13 mil+</td> <td>31-60"</td> <td>500</td> </tr> <tr> <td>4L High-Density</td> <td>1000062890</td> <td>10 mil+</td> <td>data n/a</td> <td>500</td> </tr> </tbody> </table>	Description	Part Number	Min. Bar	Depth of Field	Scans/Second	2L Standard	1000062887	15 mil+	30-52"	1000	2L Medium	1000063502	13 mil+	31-49"	1000	2L High-Density	1000062888	10 mil+	data n/a	1000	4L Standard	1000062889	15 mil+	30-65"	500	4L Medium	1000063503	13 mil+	31-60"	500	4L High-Density	1000062890	10 mil+	data n/a	500
Description	Part Number	Min. Bar	Depth of Field	Scans/Second																																
2L Standard	1000062887	15 mil+	30-52"	1000																																
2L Medium	1000063502	13 mil+	31-49"	1000																																
2L High-Density	1000062888	10 mil+	data n/a	1000																																
4L Standard	1000062889	15 mil+	30-65"	500																																
4L Medium	1000063503	13 mil+	31-60"	500																																
4L High-Density	1000062890	10 mil+	data n/a	500																																
Size	H 12.23" [311 mm] x W 13.92" [354 mm] x D 6.93" [176 mm]																																			
Weight	Scan Head: 14.5 lbs [6.6 kg] Mounting Bracket: 4.1 lbs [1.9 kg] Wiring Base: 1.8 lbs [0.8 kg] Power Supply: 2.5 lbs [1.1 kg]																																			
Enclosure	Powder-coated cast aluminum, rated for NEMA13 / IP54																																			
Temperature	Operating: +32° to +122° F [0° to +50° C] Storage: -4° to +158° F [-20° to +70° C]																																			
Relative Humidity	10% - 90% non-condensing																																			
Laser Type	Visible laser diode 650 nM (standard)																																			
Power Requirement	12-30 VDC (power supplies available from Accu-Sort)																																			
Power Consumption	<40 W																																			
Visual Indicators (LEDs)	Status, Trigger, Read, RX/TX, Network, Link; read quality (5 LEDs)																																			
Bar Code Types	All standard 1D symbologies																																			
Connectors	Dedicated setup port, optional RJ45 connector for Ethernet																																			
Communications	Standard: On-board EtherNet/IP, Ethernet TCP/IP, Serial RS232, RS422, and 4 programmable I/O relays Optional: DeviceNet, Profibus																																			
Options	Universal Mounting Bracket (UMB) 120 or 240VAC power supply																																			
MTBF	71,949 hours																																			
Service Options	Installation assistance and on-site training																																			
Warranty	1-year limited, parts and labor																																			
Compliance	UL, cUL, CE, FCC (Class A), 21CFR1040, IEC-60825-1 (pending)																																			

*Actual performance may vary with configuration and application.



For more information about auto-ID and material handling solutions from Accu-Sort Systems, contact us at:

ACCUSORT® SYSTEMS, INC.
511 School House Road
Telford, PA 18969
1-800-BAR-CODE™

info@accusort.com
www.accusort.com

© 2006 Accu-Sort Systems, Inc. All rights reserved. ACCU-SORT, 1-800-BAR-CODE, AXIOM-X, ACCESS, DRX and the AS logotype are trademarks or registered trademarks of Accu-Sort Systems, Inc.

Accu-Sort reserves the right to change specifications without notice.