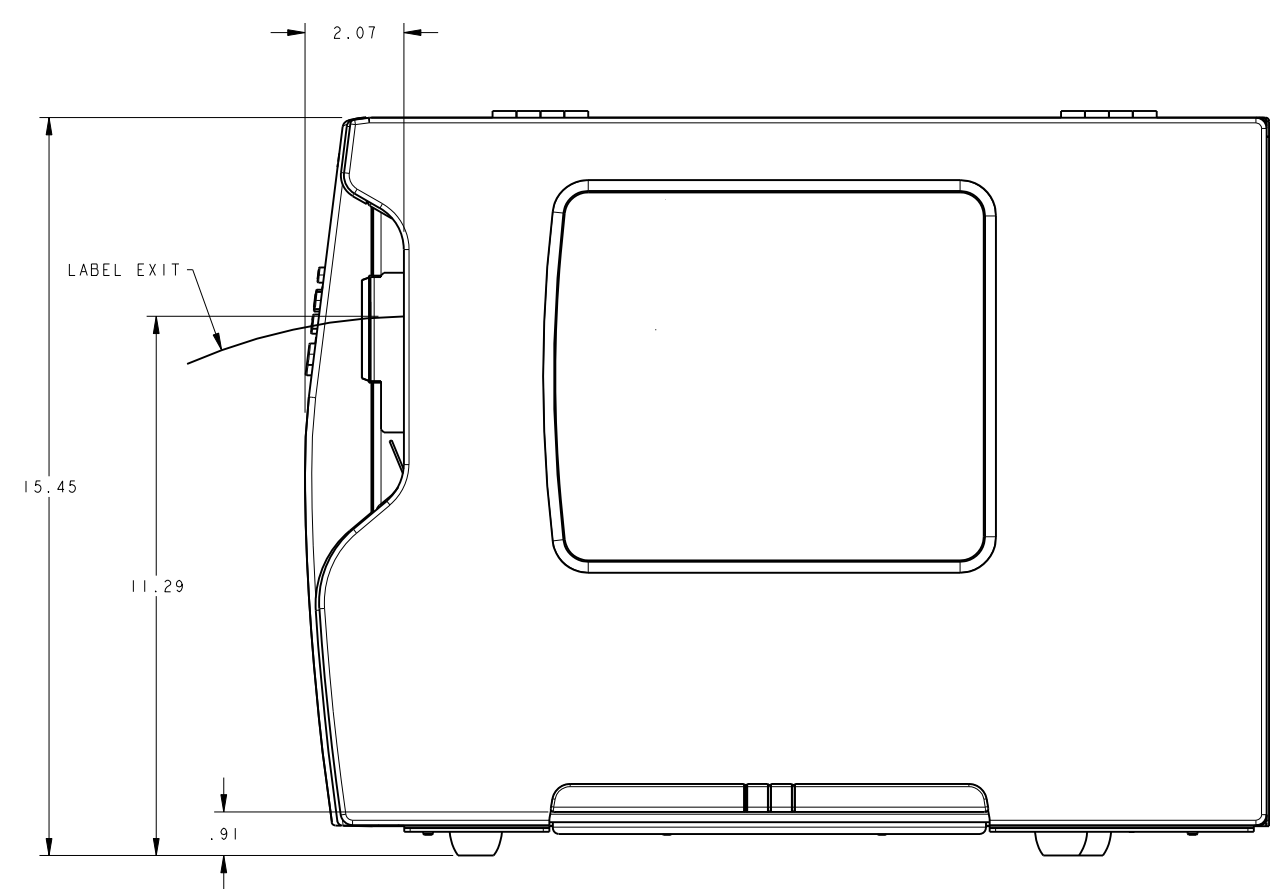
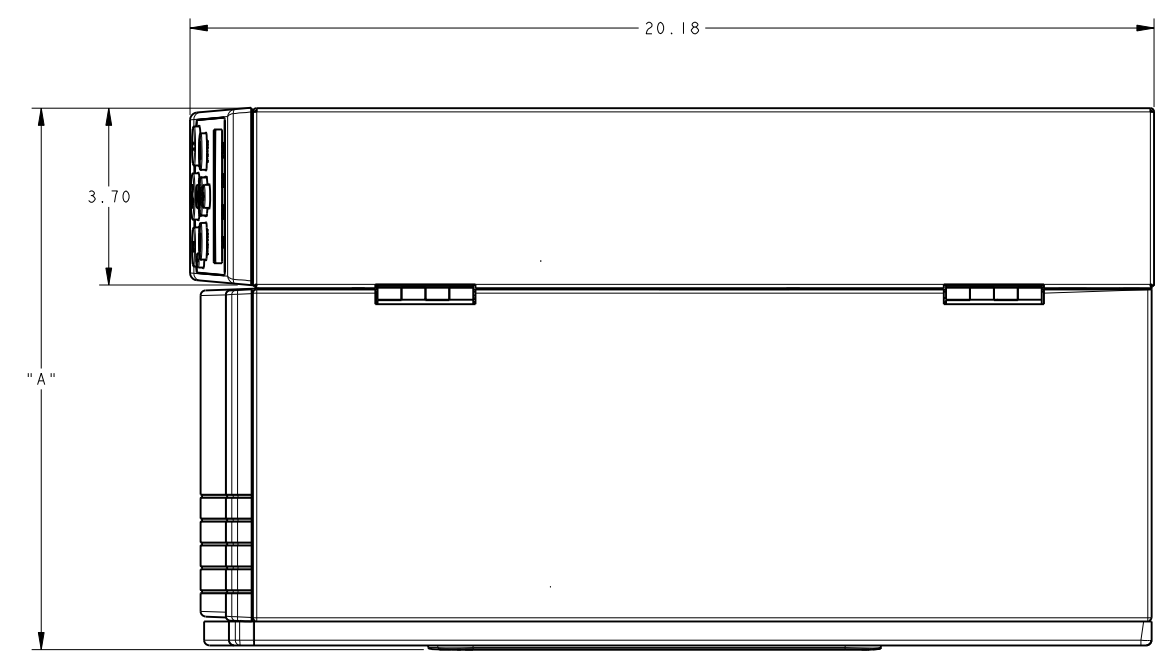
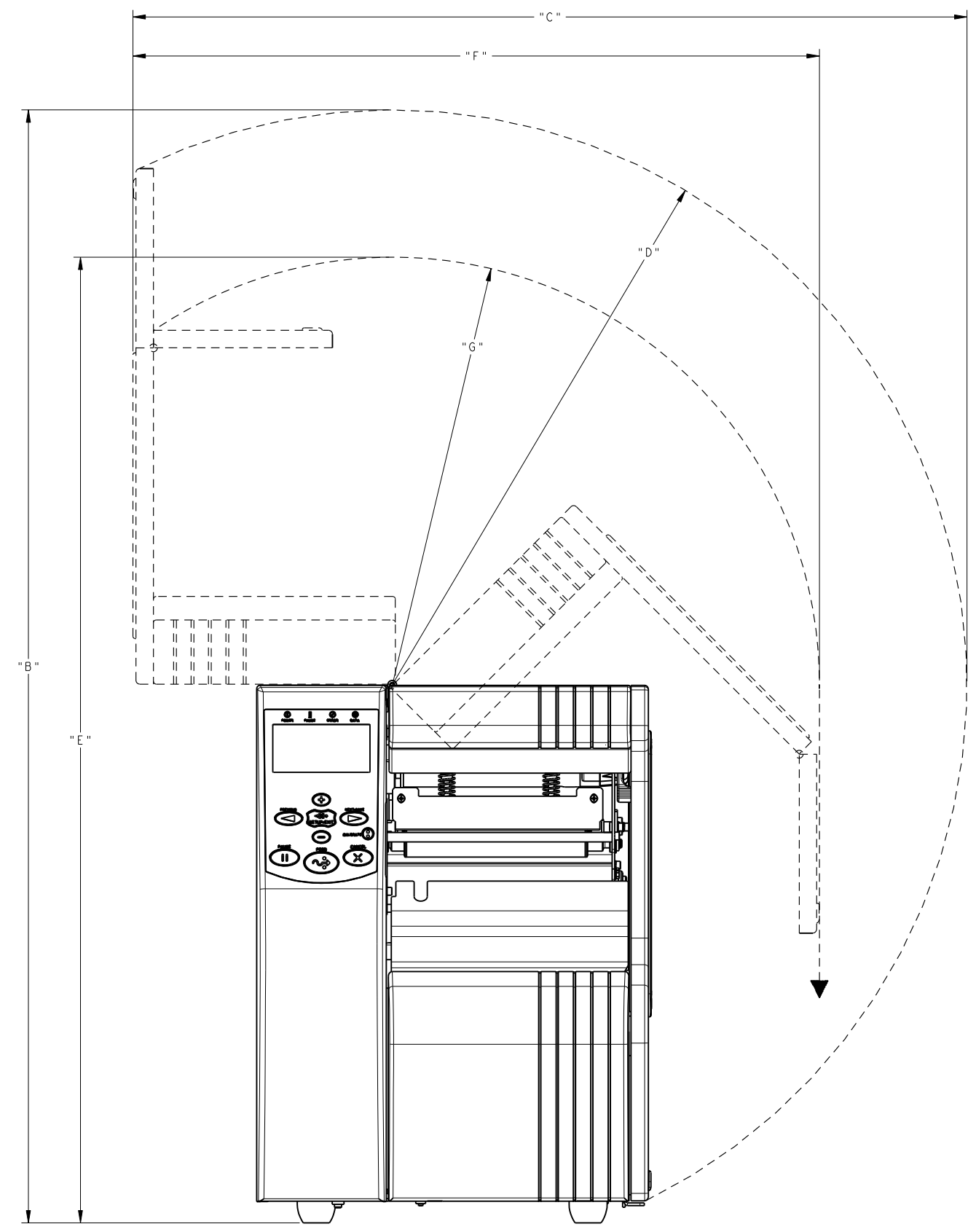


REV	DATE	ECO NO	REV BY	ENGR	APPVD BY
A	08-31-09	E0005977	URBAN, M	URBAN, M	EAM
RELEASE DRAWING					



	"A"	STANDARD MEDIA DOOR			BI-FOLD MEDIA DOOR			WEIGHT (LBS) *
		"B"	"C"	"D"	"E"	"F"	"G"	
110x4	10.46	31.61	22.73	16.15	27.27	18.39	11.81	50
140x4	11.34	31.98	23.97	16.52	27.74	19.73	12.28	55
170x4	13.34	32.96	26.95	17.50	28.96	22.95	13.50	67
220x4	15.84	34.41	30.90	18.94	30.77	27.26	15.31	72

*WEIGHT FOR MINIMAL CONFIGURATION, WITHOUT PACKAGING

PART NUMBER:
23900

DIMENSIONS ARE IN INCHES
INTERPRET PER:
ASME Y14.5M-1994

SCALE: NONE

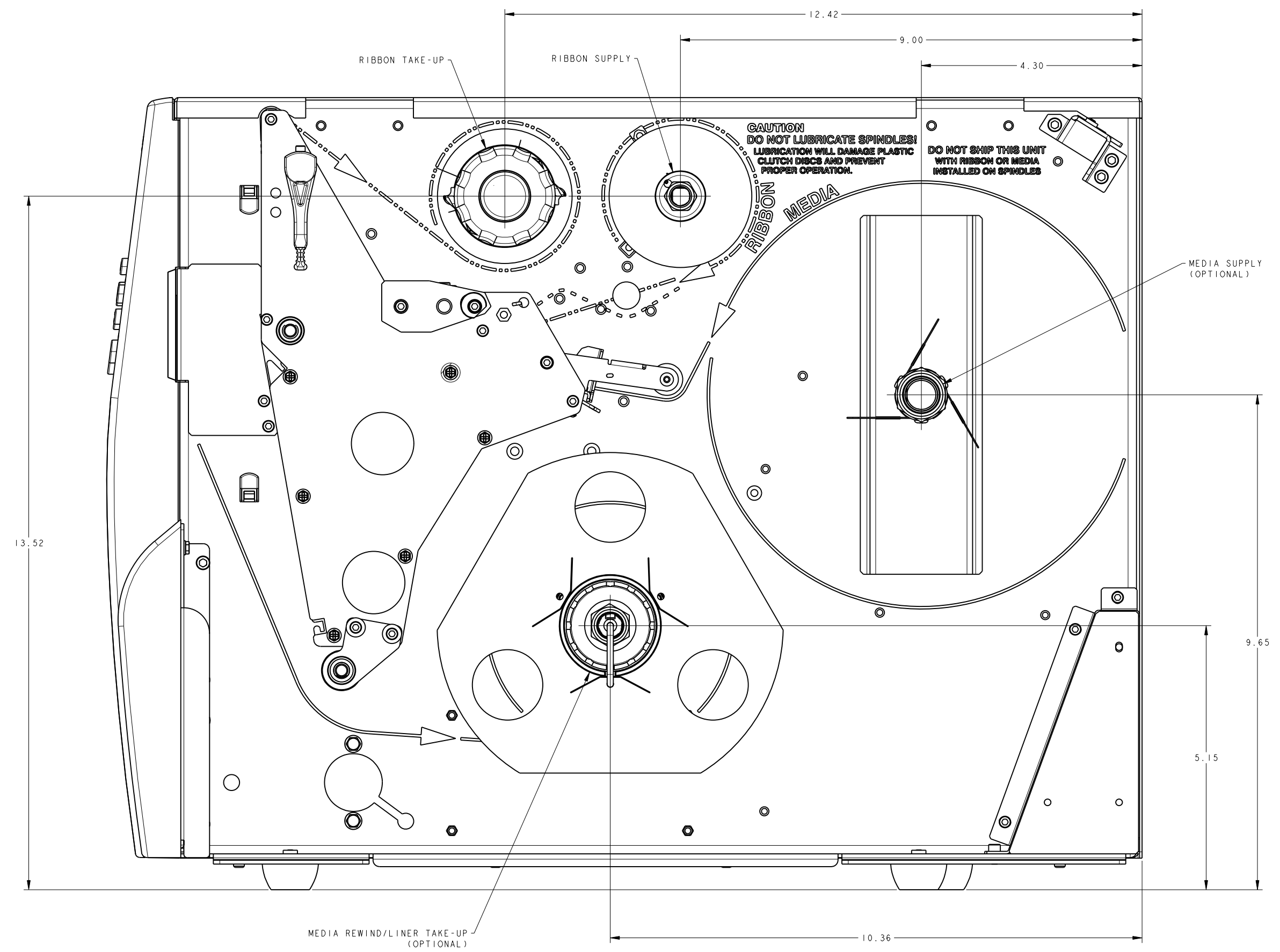
SHEET: 1 OF 5 DWG SIZE: **D**

Zebra Technologies Corporation

THESE DRAWINGS AND SPECIFICATIONS ARE THE EXCLUSIVE PROPERTY OF ZEBRA TECHNOLOGIES CORPORATION AND SHALL NOT BE DISCLOSED, REPRODUCED, COPIED OR OTHERWISE USED FOR ANY PURPOSES WHATSOEVER EXCEPT WITH THE PRIOR WRITTEN CONSENT OF ZEBRA TECHNOLOGIES CORPORATION.

INSTALLATION SIZES
Xi4 DIMENSION TABLES

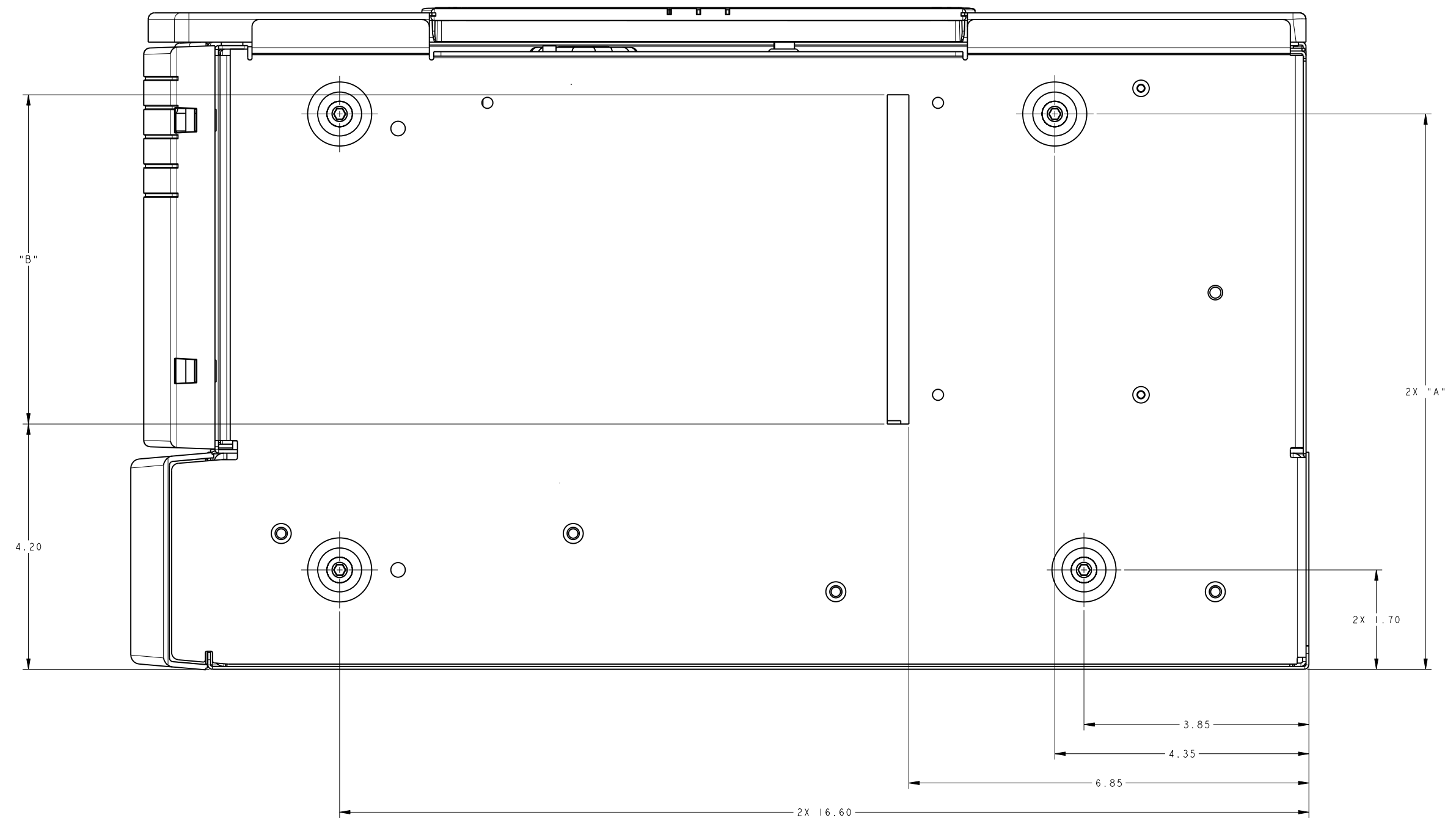
REV	DATE	ECO NO	REV BY	ENGR	APPVD BY
A	08-31-09	E0005977	URBAN, M	URBAN, M	EAM
RELEASE DRAWING					



PART NUMBER:	
23900	
DIMENSIONS ARE IN INCHES	
INTERPRET PER: ASME Y14.5M-1994	
SCALE: NONE	
SHEET: 2 OF 5	DWG SIZE D
Zebra Technologies Corporation	
<small>THESE DRAWINGS AND SPECIFICATIONS ARE THE EXCLUSIVE PROPERTY OF ZEBRA TECHNOLOGIES CORPORATION AND SHALL NOT BE DISCLOSED, REPRODUCED, COPIED OR OTHERWISE USED FOR ANY PURPOSES WHATSOEVER EXCEPT WITH THE PRIOR WRITTEN CONSENT OF ZEBRA TECHNOLOGIES CORPORATION.</small>	

SPINDLE LOCATIONS
X14 DIMENSION TABLES

REV	DATE	ECO NO	REV BY	ENGR	APPVD BY
A	08-31-09	E0005977	URBAN, M	URBAN, M	EAM
RELEASE DRAWING					



	"A"	"B"
110Xi4	8.51	4.64
140Xi4	9.51	5.64
170Xi4	11.51	7.64
220Xi4	14.01	10.14

PART NUMBER:
23900

DIMENSIONS ARE IN INCHES

INTERPRET PER:
ASME Y14.5M-1994

SCALE: NONE

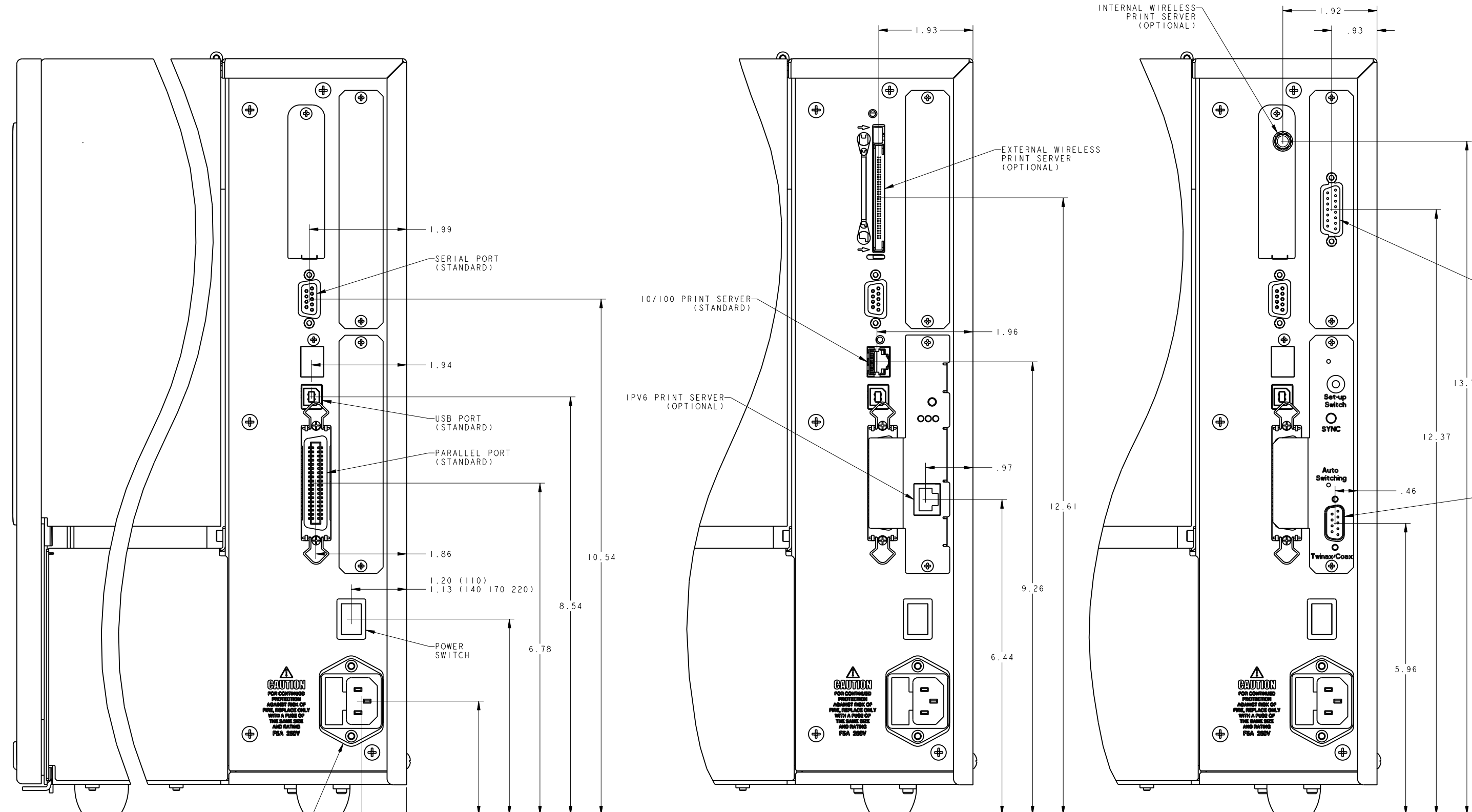
SHEET: 3 OF 5 DWG SIZE: **D**

Zebra Technologies Corporation

THESE DRAWINGS AND SPECIFICATIONS ARE THE EXCLUSIVE PROPERTY OF ZEBRA TECHNOLOGIES CORPORATION AND SHALL NOT BE DISCLOSED, REPRODUCED, COPIED OR OTHERWISE USED FOR ANY PURPOSES WHATSOEVER EXCEPT WITH THE PRIOR WRITTEN CONSENT OF ZEBRA TECHNOLOGIES CORPORATION.

FEET AND LOWER MEDIA SLOT LOCATIONS
Xi4 DIMENSION TABLES

REV	DATE	ECO NO	REV BY	ENGR	APPVD BY
A	08-31-09	E0005977	URBAN, M	URBAN, M	EAM
RELEASE DRAWING					



NOTE: ALLOW A 2.75" SPACE BEHIND THE PRINTER FOR POWER AND DATA CABLES

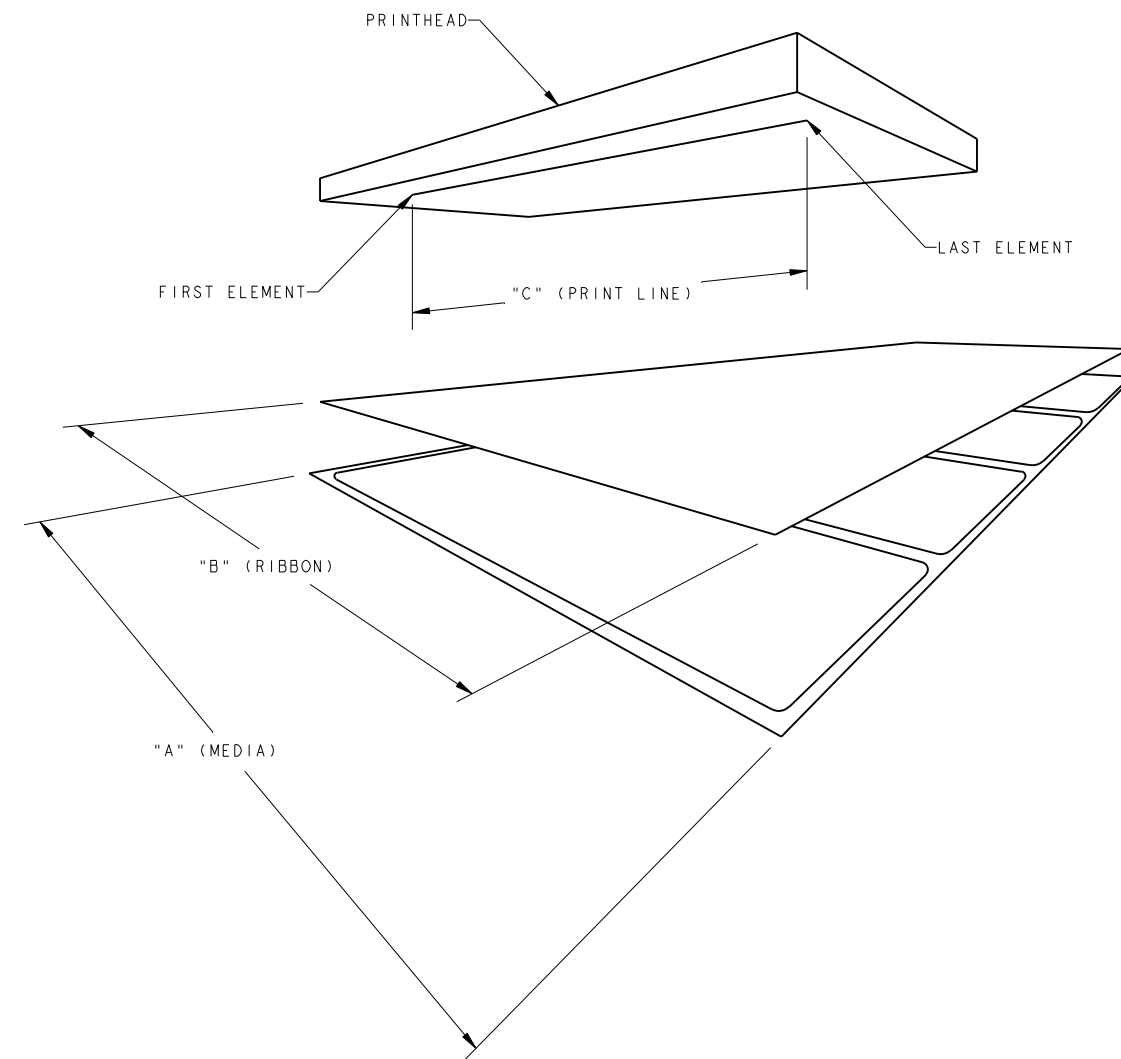
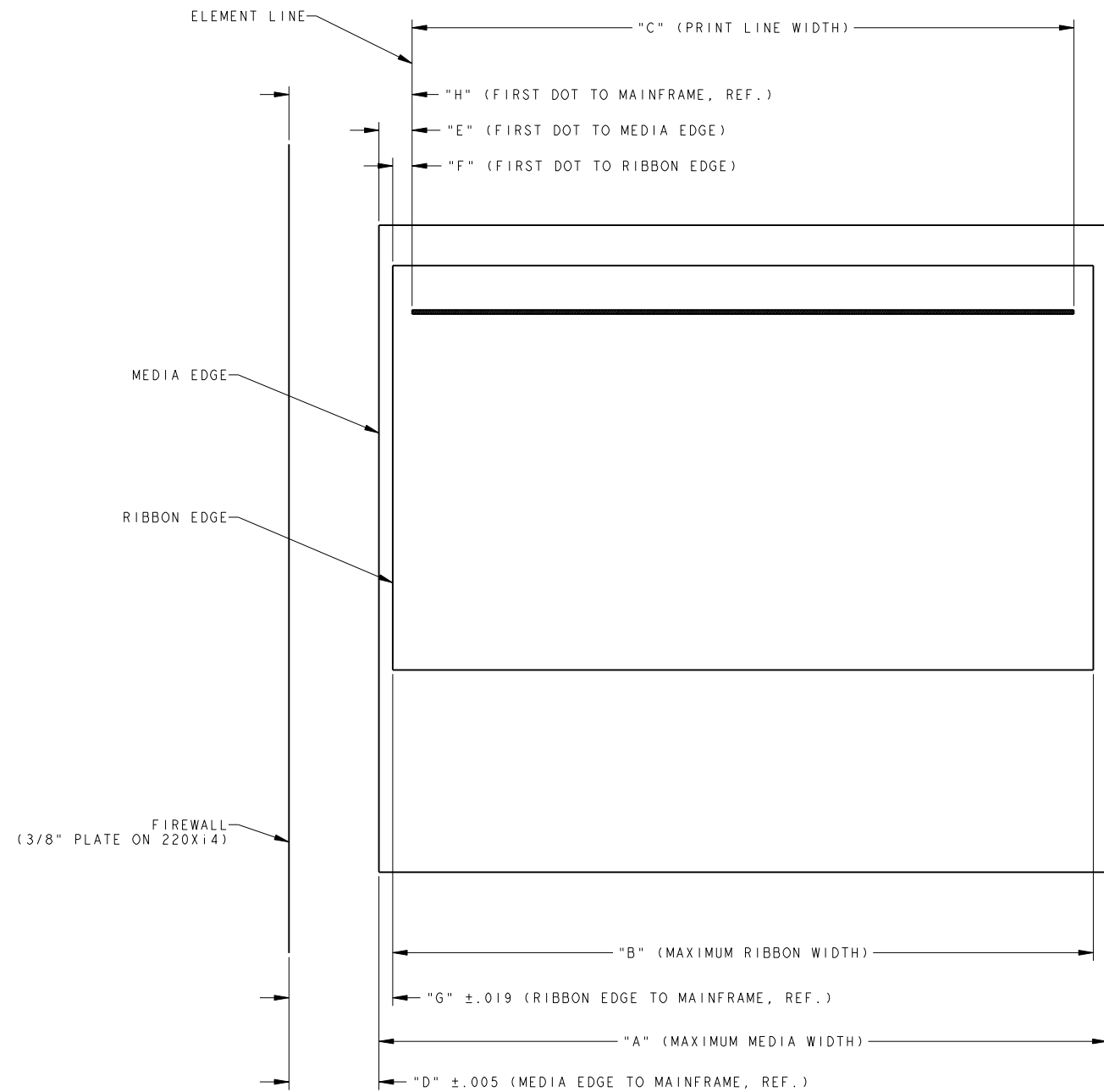
PART NUMBER: 23900	
DIMENSIONS ARE IN INCHES	
INTERPRET PER: ASME Y14.5M-1994	
SCALE: NONE	
SHEET: 4 OF 5	DWG SIZE D
Zebra Technologies Corporation	
<small>THESE DRAWINGS AND SPECIFICATIONS ARE THE EXCLUSIVE PROPERTY OF ZEBRA TECHNOLOGIES CORPORATION AND SHALL NOT BE DISCLOSED, REPRODUCED, COPIED OR OTHERWISE USED FOR ANY PURPOSES WHATSOEVER EXCEPT WITH THE PRIOR WRITTEN CONSENT OF ZEBRA TECHNOLOGIES CORPORATION.</small>	

POWER & DATA LOCATIONS
X14 DIMENSION TABLES

REV	DATE	ECO NO	REV BY	ENGR	APPVD BY
A	08-31-09	E0005977	URBAN, M	URBAN, M	EAM
RELEASE DRAWING					

PRINTER	DPI	"A"	"B"	"C"	"D"	"E"	"F"	"G"	"H"
110Xi4	203	4.488 [114.00]	4.331 [110.00]	4.094 [104.00]	.557 [14.15]	.135±.045 [3.45±1.14]	.179±.059 [4.55±1.50]	.514 [13.06]	.693±.040 [17.60±1.02]
	300	4.488 [114.00]	4.331 [110.00]	4.161 [105.70]	.557 [14.15]	.059±.045 [1.50±1.14]	.102±.059 [2.59±1.50]	.514 [13.06]	.616±.040 [15.65±1.02]
	600	4.488 [114.00]	4.331 [110.00]	4.157 [105.58]	.557 [14.15]	.062±.045 [1.58±1.14]	.105±.059 [2.67±1.50]	.514 [13.06]	.619±.040 [15.72±1.02]
140Xi4	203	5.512 [140.00]	5.118 [130.00]	5.039 [128.00]	.557 [14.15]	.097±.062 [2.46±1.58]	.100±.076 [2.54±1.93]	.554 [14.07]	.654±.057 [16.61±1.45]
170Xi4	203	7.087 [180.00]	6.693 [170.00]	6.614 [168.00]	.557 [14.15]	.097±.062 [2.46±1.58]	.100±.076 [2.54±1.93]	.554 [14.07]	.654±.057 [16.61±1.45]
	300	7.087 [180.00]	6.693 [170.00]	6.614 [168.00]	.557 [14.15]	.097±.062 [2.46±1.58]	.100±.076 [2.54±1.93]	.554 [14.07]	.654±.057 [16.61±1.45]
220Xi4	203	8.819 [224.00]	8.661 [220.00]	8.405 [216.00]	.557 [14.15]	.093±.062 [2.36±1.58]	.096±.076 [2.44±1.93]	.554 [14.07]	.650±.057 [16.51±1.45]
	300	8.819 [224.00]	8.661 [220.00]	8.517 [216.32]	.557 [14.15]	.093±.062 [2.36±1.58]	.096±.076 [2.44±1.93]	.554 [14.07]	.650±.057 [16.51±1.45]

INCHES WITH MILLIMETERS IN BRACKETS; TOLERANCES IN INCHES.



PART NUMBER:
23900

DIMENSIONS ARE IN INCHES
INTERPRET PER:
ASME Y14.5M-1994

SCALE: NONE

SHEET: 5 OF 5
DWG SIZE: **D**

Zebra Technologies Corporation

THESE DRAWINGS AND SPECIFICATIONS ARE THE EXCLUSIVE PROPERTY OF ZEBRA TECHNOLOGIES CORPORATION AND SHALL NOT BE DISCLOSED, REPRODUCED, COPIED OR OTHERWISE USED FOR ANY PURPOSES WHATSOEVER EXCEPT WITH THE PRIOR WRITTEN CONSENT OF ZEBRA TECHNOLOGIES CORPORATION.

MEDIA, RIBBON & FIRST DOT LOCATIONS
Xi4 DIMENSION TABLES